

Tunnel-broadcast and break-in solutions



AVT Audio Video Technologies



FACTUM RADIOSCAPE



PANEDA®

Mars 2018

Your official distributor:

Sumatronic AG, Rainstrasse 35a, 6314 Unteraegeri, Switzerland, Tel. +41 41 752 08 08

www.sumatronic.ch

DAB/DAB+ Tunnel Emergency-Break-in System

Tunnel Notfall-Einsprache-System

Tunnel système d'urgence-Break-in

Tunnel del sistema di emergenza-Break-in

AVT MAGIC TBR

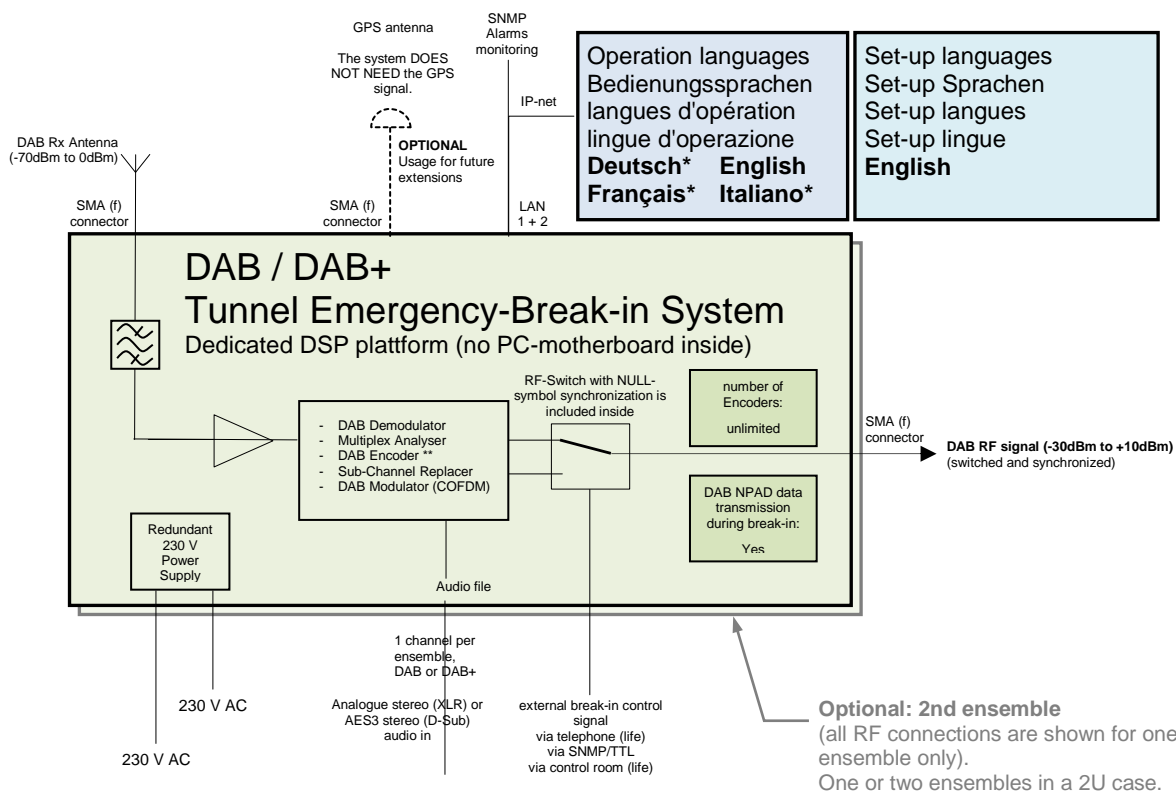


04.07.2018 phm/mn



Signal / interface overview

Signal / Schnittstellen Übersicht vue de signaux / interface descrizione segnali / interfacce



* under construction, please ask us for the availability

Specifications / dimensions:

19" x 2U x 280mm
(W x H x D)

Power consumption for one ensemble: approx. 25 W, for two ensembles: 35 W

MER (break-in) >= 40 dB

Einziges Produkt dieser Art auf dem Markt, welches **nicht auf PC-Technik basiert**, sondern auf einer dedizierten DSP-Plattform aufgebaut ist.

Build on a dedicated DSP platform. Currently the only **non-PC-embedded** product on the market. (Mars 2018)

**Einziges Produkt mit unbeschränkter Anzahl Audio-Encoder (DAB+).

**The only product with an unlimited number of audio encoders (DAB+).

DAB/DAB+ Tunnel Emergency-Break-in System

Tunnel Notfall-Einsprache-System

Tunnel système d'urgence-Break-in

Tunnel del sistema di emergenza-Break-in

Radioscape DETS



21.3.2018 phm/mn

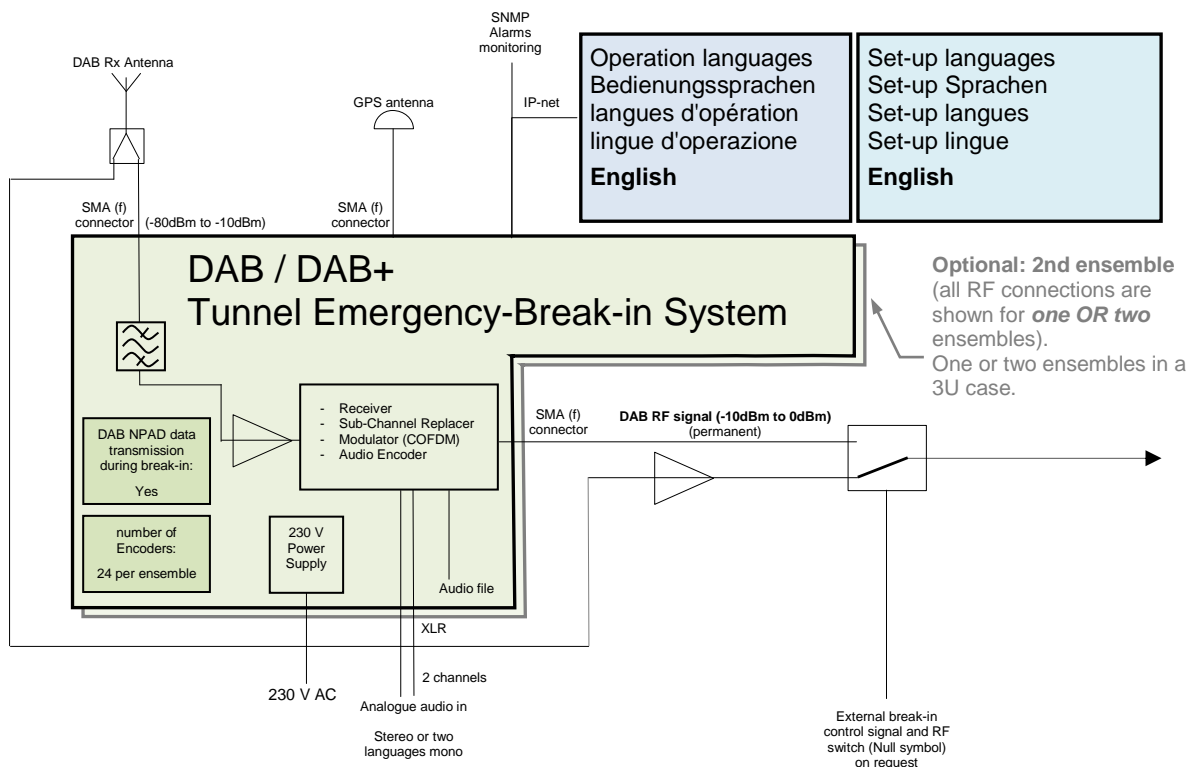


Signal / interface overview

Signal / Schnittstellen Übersicht

vue de signaux / interface

descrizione segnali / interfacce



Specifications / dimensions:
19" x 3U x 402mm
(W x H x D)

Power consumption for one ensemble: approx. 65 W,
for two ensembles: 90 W

MER (break-in) >= 40 dB

DAB/DAB+ Tunnel Emergency-Break-in System

Tunnel Notfall-Einsprache-System

Tunnel système d'urgence-Break-in

Tunnel del sistema di emergenza-Break-in

Paneda PBS



22.3.2018 phm/mn

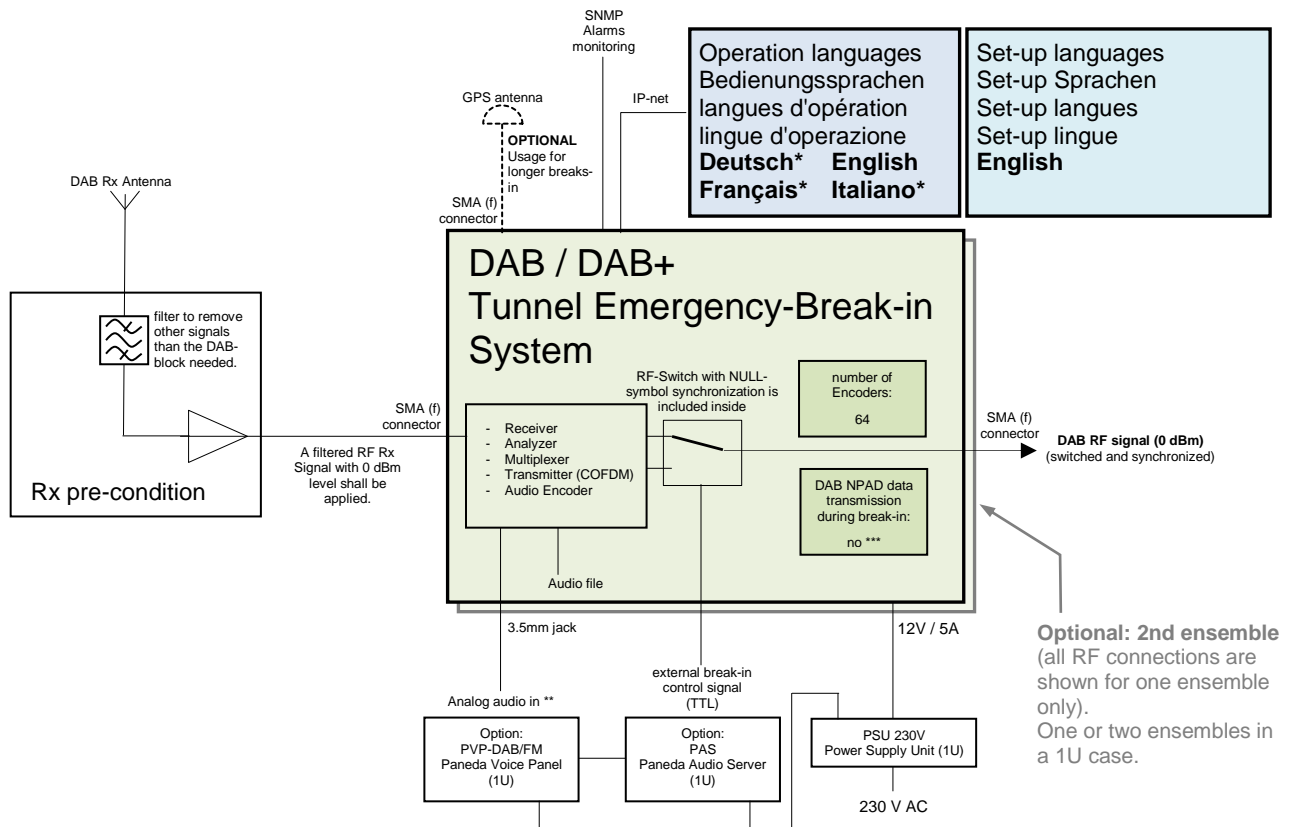


Signal / interface overview

Signal / Schnittstellen Übersicht

vue de signaux / interface

descrizione segnali / interfacce



Optional: 2nd ensemble
(all RF connections are shown for one ensemble only).
One or two ensembles in a 1U case.

Specifications / dimensions:
19" x 1U x 250mm
(W x H x D)

Power consumption for one ensemble: 25 to 30W, excl. options

MER (break-in) approx. 30dB

* under construction, please ask us for the availability
** other formats (such as AES/EBU or AoIP as option)
*** manufacturer might be able to offer this on request after further developments on his system